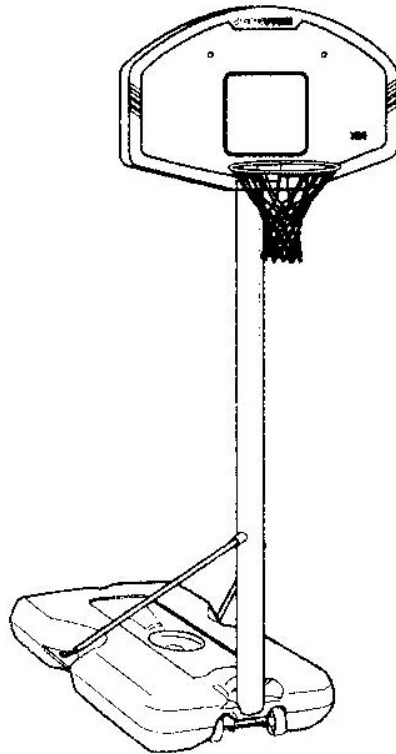


BEE-BALL



Instruction Manual for ZY-015 Pro Bound Basketball Stand



**WARNING: IMPROPER
INSTALLATION OR SWINGING
ON THE RING MAY CAUSE
SERIOUS INJURY OR DEATH**

Notice to assemblers:

All the basketball systems, including those used for displays must be assembled and ballasted according to instructions. Failure to follow instructions could result in serious injury. Please read all warnings and cautions before assembly. It is recommended to supervise children as they play with this product. This product is to be assembled by 2 adults only!

BEE-BALL



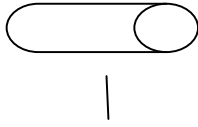
Parts List:

<u>Item #</u>	<u>Quantity</u>	<u>Description</u>
1	1	Base
2	1	Wheel Axle (29.5cm long)
3	2	Wheels
4	1	Top Pole
5	1	Bottom Pole
6	1	Middle Pole
7	1	Rod (11.5cm)
8	1	Eye Bolt
9	1	Wheel Bracket
10	2	Tank Support Strut
11	1	Rim
12	2	Backboard Brackets
13	1	Net
14	1	Cap for the top pole
15	1	Tie down stake
16	1	Instructions
17	1	T-Strap
18	1	Tank Cap (already in place)
19	2	19mm Bolt to fix support struts to base
20	2	84mm Bolt to fix support struts to bottom pole
21	4	55mm Bolt to fix Rim to Backboard
22	2	80mm Bolt to fix Backboard to Top Pole
23	1	75mm Bolt to fix the top and middle pole
24	11	Lock Nut with nylon insert
25	2	Spacer for the Wheel Axle
26	6	16mm Small Washers
27	15	23mm Large Washers
28	1	Nut (no nylon insert)
29	1	Backboard

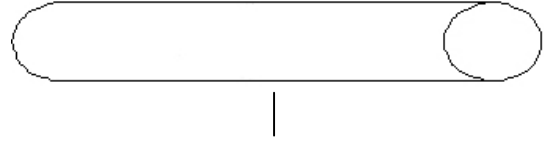
BEE-BALL



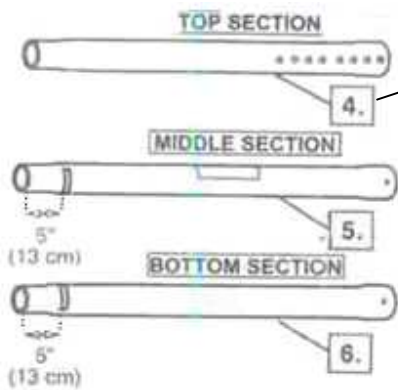
Parts:



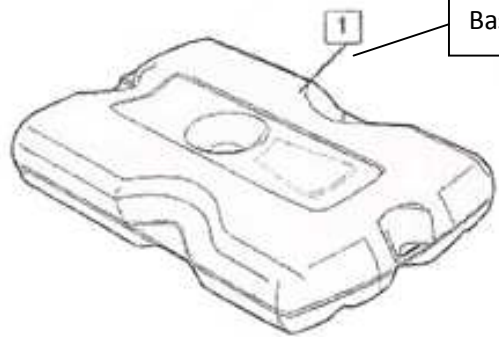
Rod #7 (11.5cm)



Wheel Axle #2 (29.5cm)



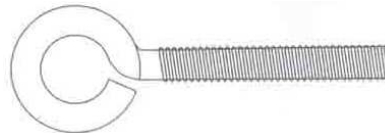
Top, Middle and Bottom Pole #4#5#6



Base #1



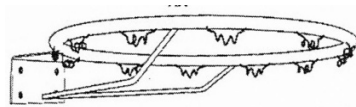
Wheel #3



Eye Bolt #8



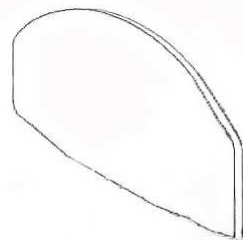
Wheel Bracket #9



Rim #11

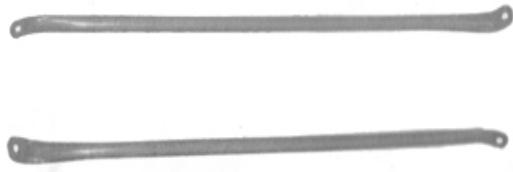


Backboard Bracket #12

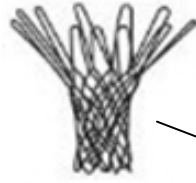


Backboard

BEE-BALL



Struts # 10



Net #13



Pole end cap #14



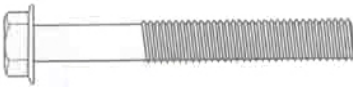
Tie down stake and T-strap #15 & 17



19mm Bolt #19 x 2



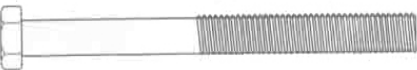
Locking Nut #24



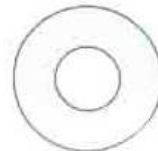
55mm Bolt #21 x 4



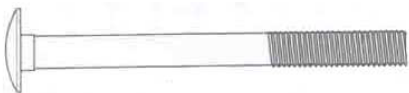
Nut #28



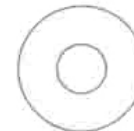
84mm Bolt #20 x 1



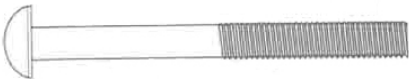
23mm Washer #27



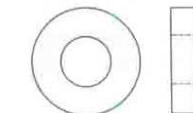
80mm Bolt #22 x 2



16mm Washer #26



75mm Bolt #23 x 1

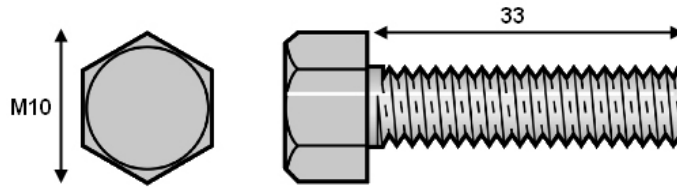


Spacer #25 x 2

BEE-BALL



Tip: To help you identify the bolts, this is how they are measured and listed.

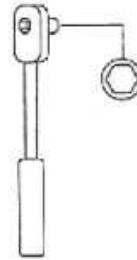


M10 = Diameter of head in mm
33 = Length of bolt in mm

Tools Required:



Spanner Set



Socket set

Assembly Instructions:

Step 1:

Unpack the box separating all the bits out as previously shown.

Step 2:

Assemble the Top (#4), Middle (#5) and Bottom (#6) poles of the basketball stand, it is very important to align the poles so correctly so the bolts can easily pass through the pre drilled holes. It is easier to marry up the poles if you gently tap them on a flat piece of wood as shown in the diagram below. Once the holes align secure the top and middle pole using bolt (#23), a washer (#27) and a locking nut (#24).

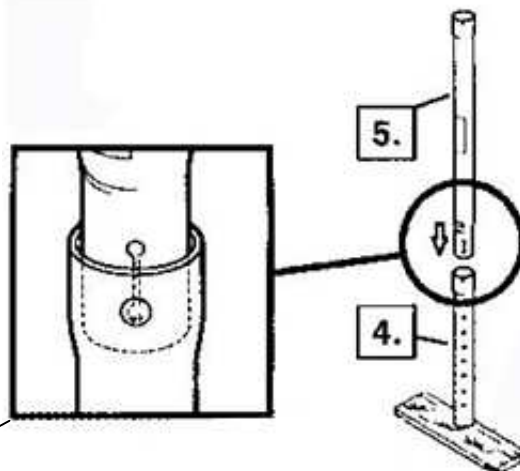


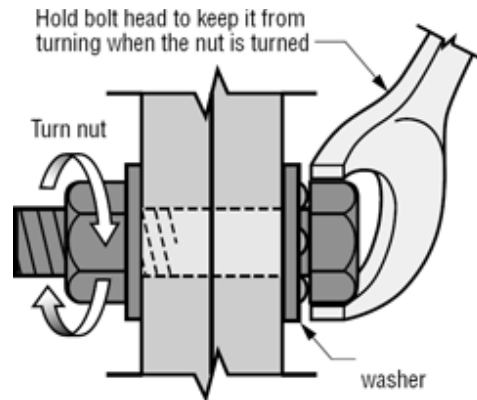
Image shows pole inverted

BEE-BALL



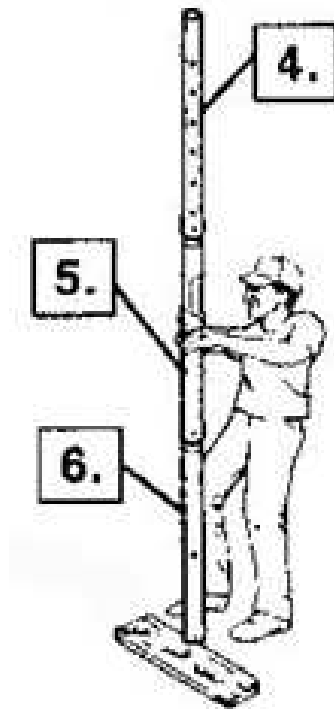
Tip

Please see advice below for correct nut and bolt assembly.



Step 3:

Use bolt (#20) to secure the bottom and middle pole, do not tighten this bolt at this stage as you will be adding the base struts onto this pole at a later step. The bolt is just used for security at this stage.



BEE-BALL



Step 4:

Install rod (#7) through the holes in the bottom pole (#6) and through the eyebolt (#8). The eyebolt should now be central to the pole as shown below.

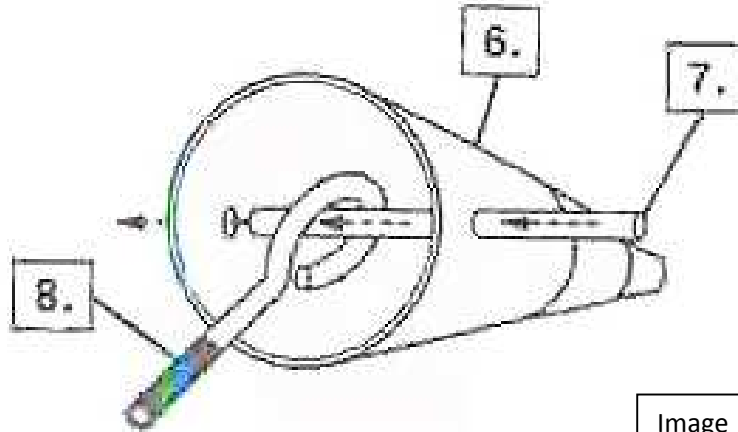
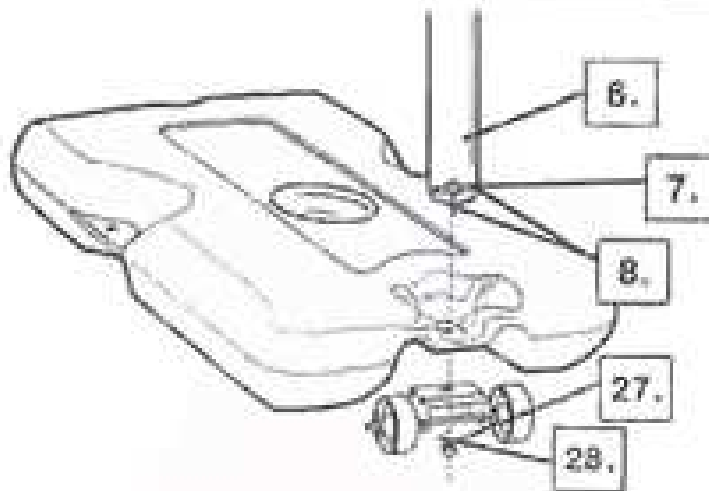
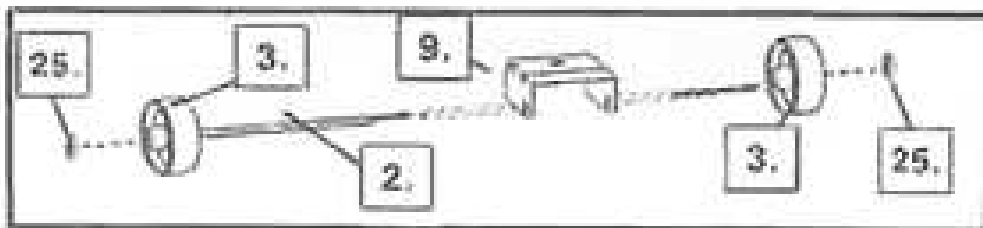


Image shows pole laid down on the ground

Step 5.

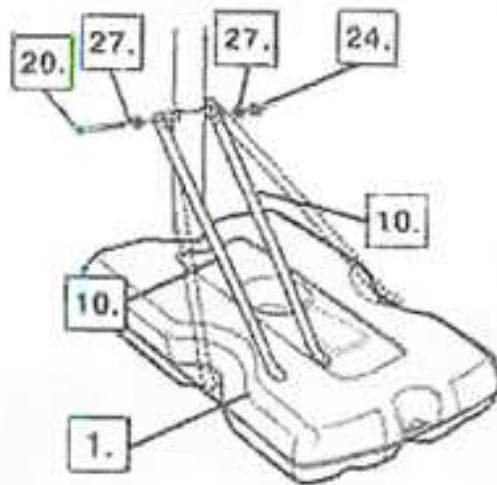
Install the wheel axle (#2) through the wheel bracket (#9) and install the wheels (#3) on to the axle (#2) with the spacers (#25) as shown. Then insert the pole assembly into the bracket, place the bracket on the underside of the base as shown below and secure using nut (#28) to eyelet bolt (#8). You may find it useful to use a deep socket to tighten nut (#28)



BEE-BALL

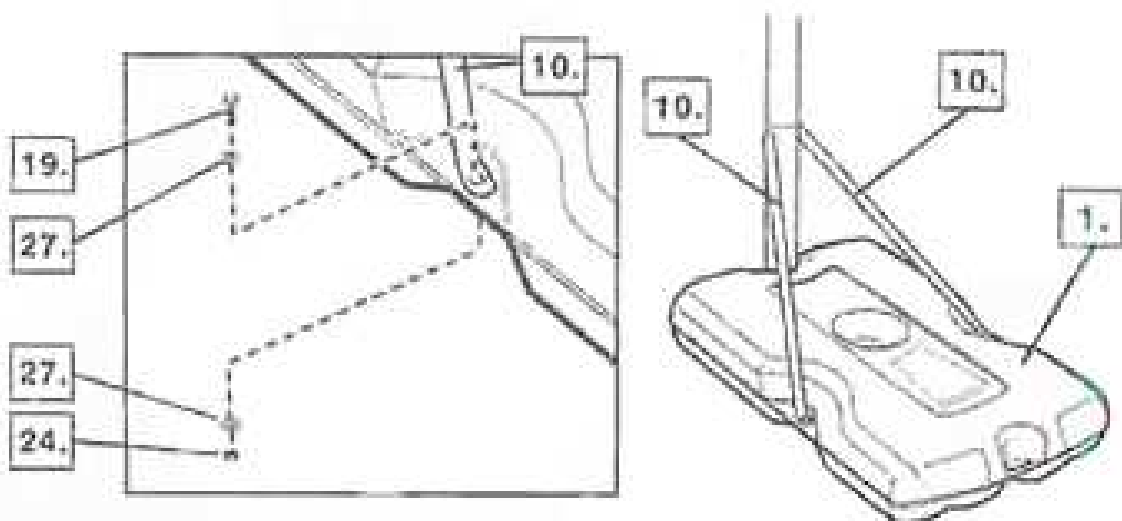
Step 6.

Secure the base struts (#10) to the bottom pole, use the same bolt that you used in step 3, you can now secure this bolt properly . Rotate non secured ends of the struts (10) outward to the mounting holes in the base as shown.



Step 7.

Secure the ends of the struts to the base on both sides as shown below.

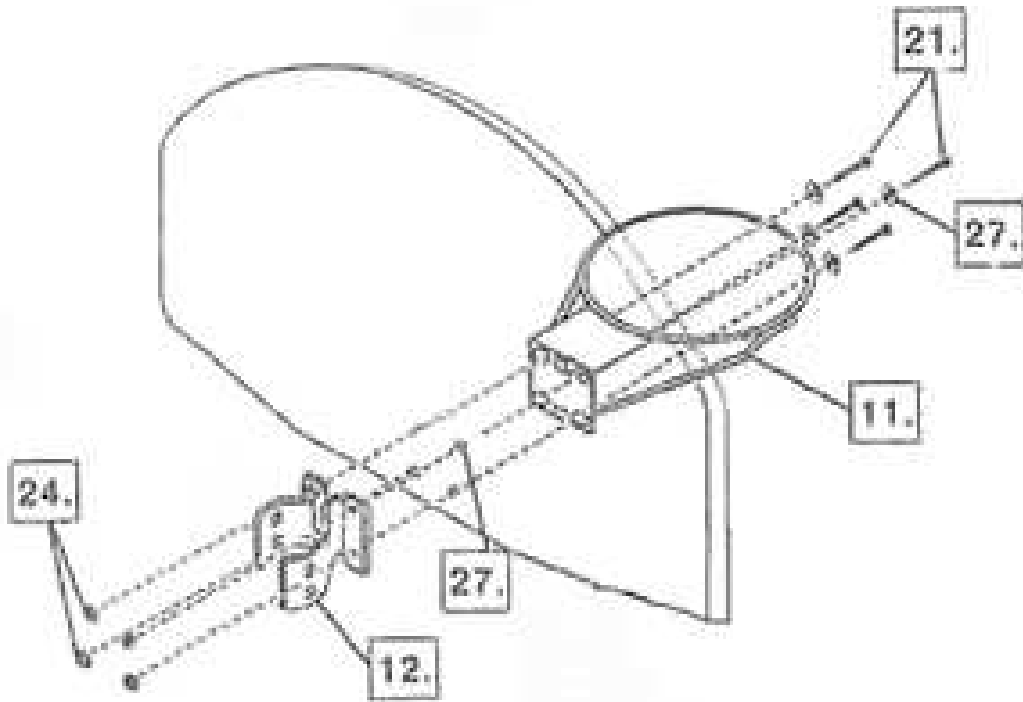


BEE-BALL



Step 8

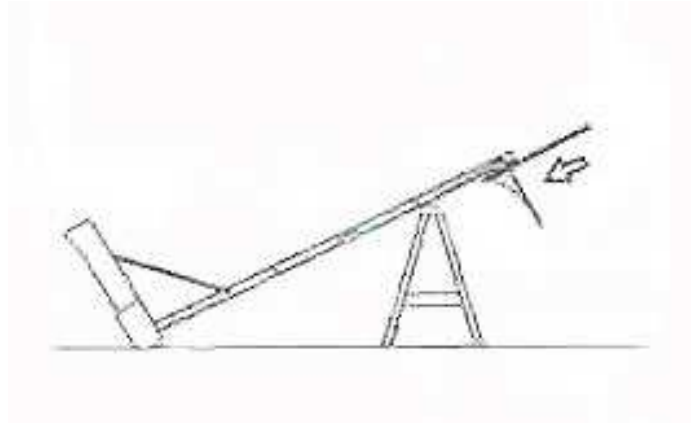
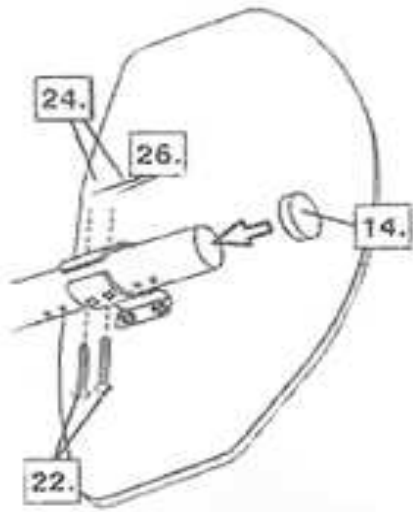
Mount the brackets (12) and the rim (11) to the backboard and hand tighten. (Note final adjustments will be made in step 10)



Step 9.

Support the pole assembly over a table or something similar. Carefully slide the backboard components on to the pole, secure the backboard using bolt (#22), the bolts should only be hand tightened at this stage. Insert the basketball top pole cap (#14). Warning! two people are required for this section. Failure to follow this warning may result in injury. Warning! Do not leave partially assembled unit unattended with the base empty as it may tip over causing injury or damage.

BEE-BALL

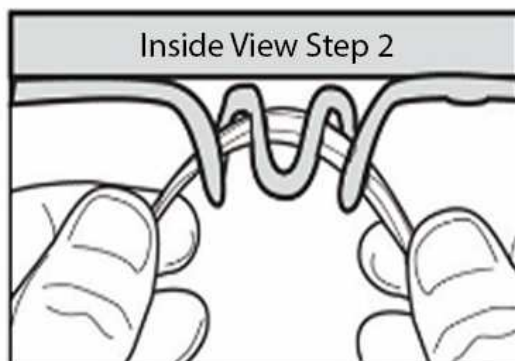
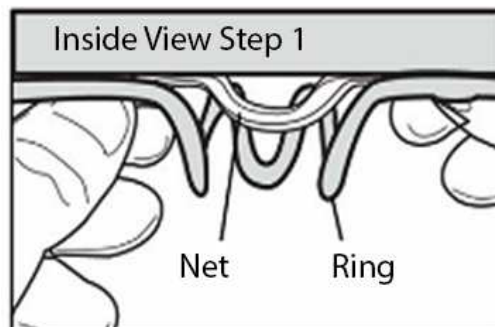


Step 10.

Whilst the stand is still in the horizontal position secure the backboard at the desired height and tighten. It is advisable to tighten all hardware at this point.

Step 11.

Install the net as shown below.



BEE-BALL



Step 12.

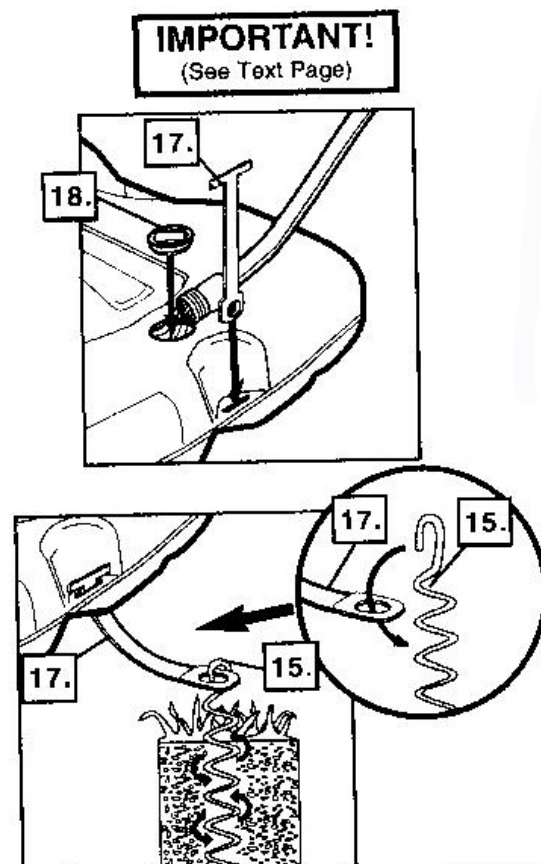
Carefully stand the assembled basketball unit up, a minimum of two people are required to do this.

Step 13.

Place the stand in the desired location and fill the base with 163kg of sand or a mix of sand and water. It is not advisable to use just water as during the winter months the water freezes and can split the base. Snap the base cap into place.

Step 14.

Insert the T strap (#17) through the slot in the back of the base as shown. Secure by twisting the tie down stake (#15) into the ground and hooking T-strap (#17) onto the tie down stake (#15).



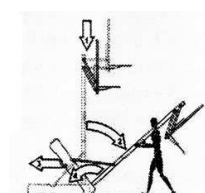


Height Adjustment

To lower or raise the ring you need to adjust the height at which the basketball backboard is fitted, you will need to loosen the fixings and re-tighten them after you have adjusted the height.

Moving the System

1. Adjust the basketball backboard height to the lowest position.
2. While holding the pole rotate the basketball system forward until the wheels engage with the ground
3. Move the basketball system to the desired location
4. Carefully rotate the basketball system upright
5. Check the system for stability



SAFETY INSTRUCTIONS AND WARNINGS

Assembly

- If using a ladder during assembly, use extreme caution.
- Two (2) capable adults are recommended for this operation
- Seat the pole sections properly (if applicable). Failure to do so could allow the pole sections to separate during play and/or transport of the system.
- After assembly is complete, fill the system completely with sand. Never leave the system in an upright position without filling the base with weight, as system may tip over causing injuries

Use

- Minimum operational height is 6'6" (1.98m) to the bottom of the backboard
- This equipment is intended for home recreational use only and NOT excessive competitive play.
- Read and understand the warning label affixed to the pole.
- Adult supervision is recommended when adjusting height.
- Do not allow anyone to stand on the base.
- DO NOT HANG on the rim or any part of the system including backboard, support braces or net.
- During play, especially when performing dunk type activities, keep the player's face away from the backboard, rim and net.
Serious injury could occur if teeth/face come into contact with the backboard rim or net
- Do not slide, climb shake or play on the base and/or pole.
- When adjusting the height or moving the system, keep hands and fingers away from the moving parts.
- Do not allow children to move or adjust the system

BEE-BALL



- During play, do not wear jewellery (rings, watches, necklaces, etc) Objects may become entangled in the net.
- Do not leave the system unsupervised or play on the system when the wheels are engaged for moving
- Check the system before each use for instability
- Do not use the system during windy and/or severe weather conditions; the system may tip over. Place the system in the storage position and/or in an area protected from the wind and free from personal property and/or overhead wires.
- Never play on damaged equipment
- Use caution when moving the system across uneven surfaces as the system may tip over

Care and Maintenance

- Climate, corrosion, or misuse could result in system failure.
- Check base regularly for leakage. Slow leaks could cause the system to tip over unexpectedly.
- The life of your basketball stand depends on many conditions. The climates, placement of the stand, location of the stand, exposure to corrosives such as pesticides, herbicides, or salts are all important.
- The surface beneath the base must be smooth and free of gravel or other sharp objects. Punctures cause leakage and could cause the system to tip over.
- Keep organic material away from the pole base. Grass, litter, etc could cause corrosion and/or deterioration.
- Check the pole system for signs of corrosion (rust, pitting, chipping) and repaint with exterior enamel paint. If rust has penetrated through the steel anywhere, replace the pole immediately.
- Check the system before each use for proper ballast, loose hardware, excessive wear and signs of corrosion and repair before use.
- Keep the pole top covered with the cap at all times.
- Do not allow the water in the tank to freeze. During sub-freezing weather add 2 gallons of non-toxic antifreeze, sand or empty the tank completely and store. (do not use salt)

Storage

- Store unit away during extreme weather conditions.
- When moving the system, use caution to keep the mechanism from shifting
- While moving the system, do not allow anyone to stand or sit on the base or have added ballasting on the base.
- Use extreme caution if placing the system on a sloped surface as the system may tip over more easily

BEE-BALL



Big Game Hunters,
Holly House, Pinewoods Road, Longworth, Oxon,
OX13 5HG

Tel: 01865 392439

e: sales@biggamehunters.co.uk

w: www.biggamehunters.co.uk

tw: @thePlayExperts

We like to ensure our products are quick and easy to assemble so you can start enjoying your purchase as soon as possible. If you have any recommendations on how the assembly instructions could be improved, please let us know. We greatly value your opinion; please email all recommendations to instructions@biggamehunters.co.uk for us to review.